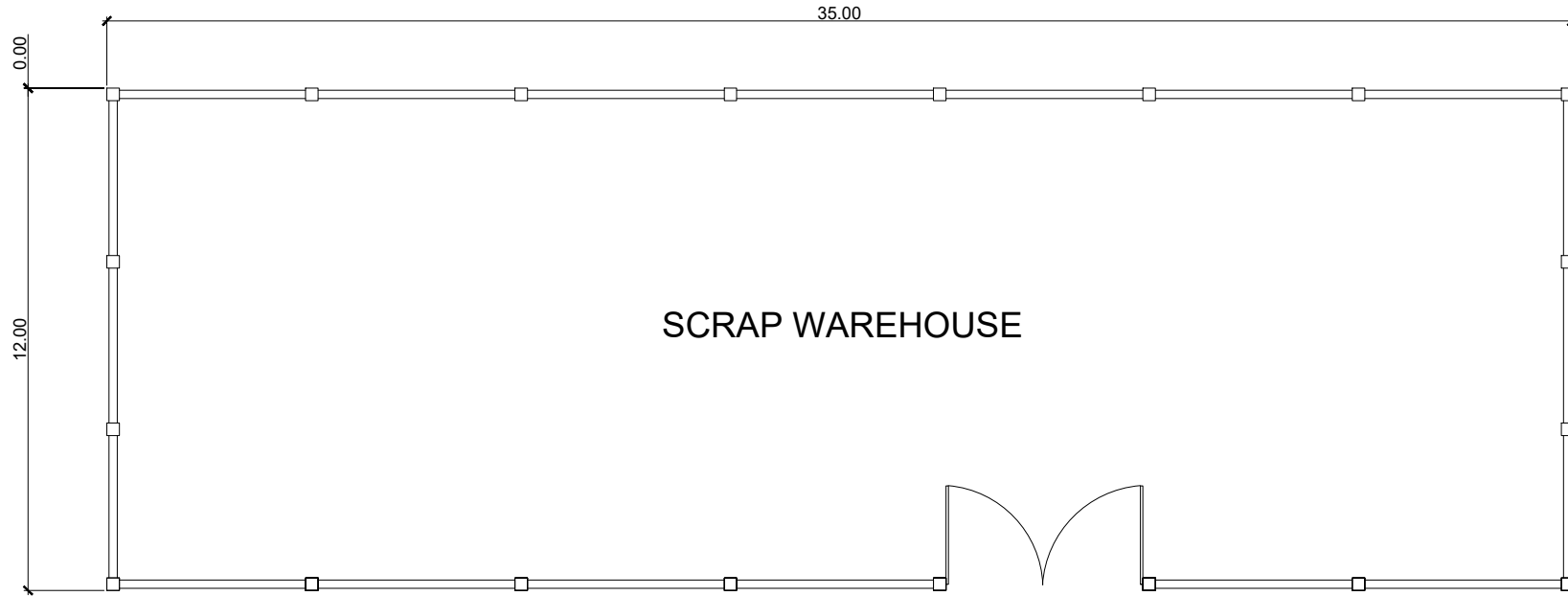


This design or drawing is the sole property of Calamba Water District. No part of this design or drawing may be reproduced or transmitted in any form or by any means without the written consent of its owner.



 **FLOOR PLAN**  
SCALE 1:100 m.

NOTES:  
 1. ALL SIZES AND LOCATIONS ARE SUBJECT TO CHANGE TO SUIT FIELD CONDITIONS.  
 2. THE DESIGNER SHALL NOT BE LIABLE FOR ANY ALTERATION/ REVISION ON THE PLANS/ DRAWINGS AND SPECIFICATIONS IMPROVED BY THE AUTHORIZED SUPERVISING ENGINEER DONE WITHOUT THEIR KNOWLEDGE THAT MAY IMPAIR THE STRENGTH OF THE PROJECT.

**W CALAMBA WATER DISTRICT**  
 ENGINEERING DEPARTMENT  
 PLANNING AND DESIGN DIVISION  
 24/7 Public Service

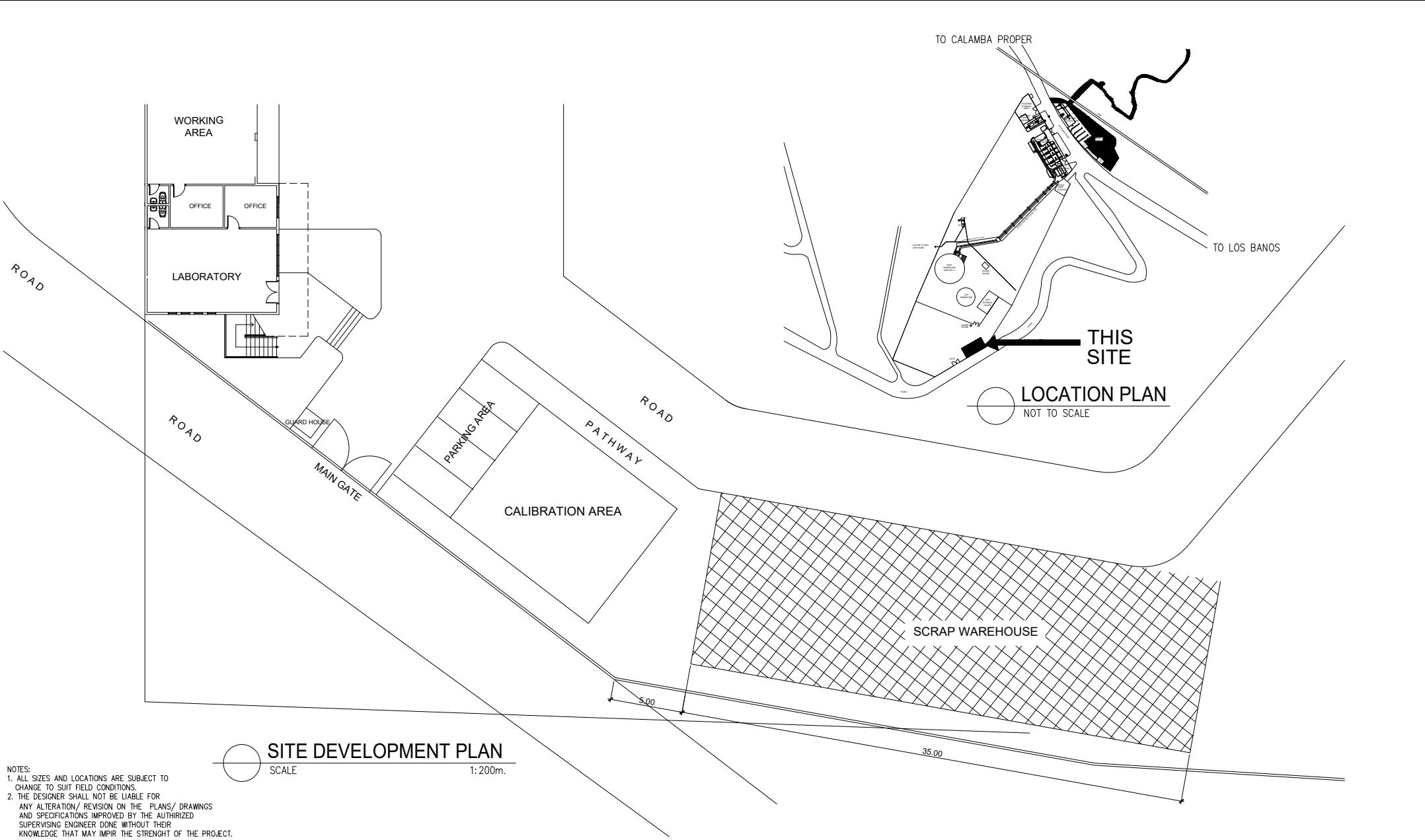
PROJECT TITLE:	PROPOSED SCRAP AREA FENCE
LOCATION:	Bucal Pumping Station Upper, Calamba City, Laguna

DRAWN BY:	A. L. DEL PRADO
DESIGNED BY:	A. L. DEL PRADO
RECOMMENDED BY:	ENGR. J. GILLERA
APPROVED BY:	MR. E. A. AGUILAR JR.

SHEET CONTENTS:	FLOOR PLAN
-----------------	------------

DATE:	06/22/2020
SHEET NO.	A-1

This design or drawing is the sole property of Calamba Water District. No part of this design or drawing may be reproduced or transmitted in any form or by any means without the written consent of its owner.



**SITE DEVELOPMENT PLAN**  
SCALE 1:200m.

NOTES:  
 1. ALL SIZES AND LOCATIONS ARE SUBJECT TO CHANGE TO SUIT FIELD CONDITIONS.  
 2. THE DESIGNER SHALL NOT BE LIABLE FOR ANY ALTERATION/ REVISION ON THE PLANS/ DRAWINGS AND SPECIFICATIONS IMPROVED BY THE AUTHORIZED SUPERVISING ENGINEER DONE WITHOUT THEIR KNOWLEDGE THAT MAY IMPAIR THE STRENGTH OF THE PROJECT.

**W CALAMBA WATER DISTRICT**  
**ENGINEERING DEPARTMENT**  
**PLANNING AND DESIGN DIVISION**

LAKEVIEW SUBD., HALANG, CALAMBA CITY

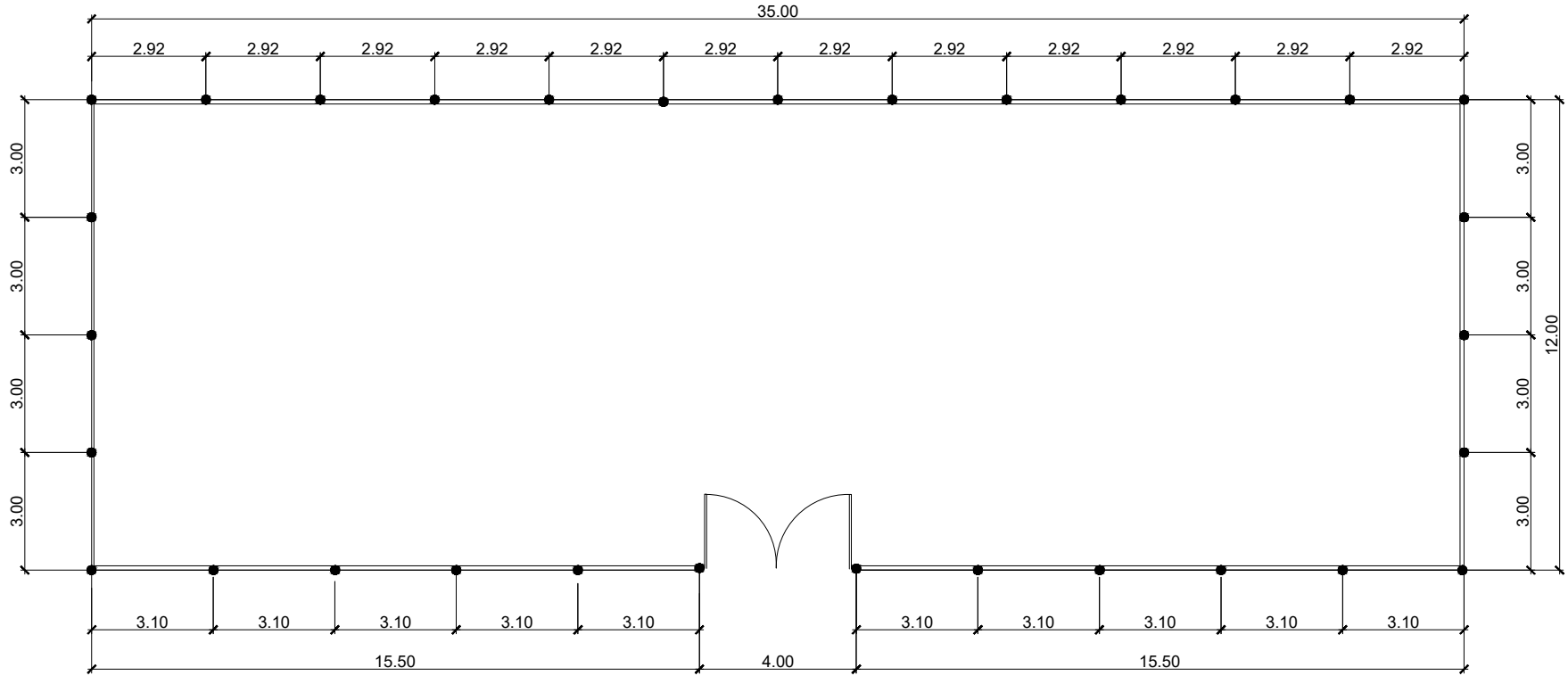
PROJECT TITLE:  
**PROPOSED SCRAP AREA FENCE**

LOCATION: Bucal Pumping Station Upper, Calamba City, Laguna

DRAWN BY: A. L. DEL PRADO  
 DESIGNED BY: A. L. DEL PRADO  
 RECOMMENDED BY: ENGR. J. GILLERA  
 APPROVED BY: MR. E. A. AGUILAR JR.

SHEET CONTENTS:  
 SITE DEVELOPMENT PLAN

DATE: 06/22/2020  
 SHEET NO.  
**CS-1**



FOUNDATION PLAN  
SCALE 1:100 m.

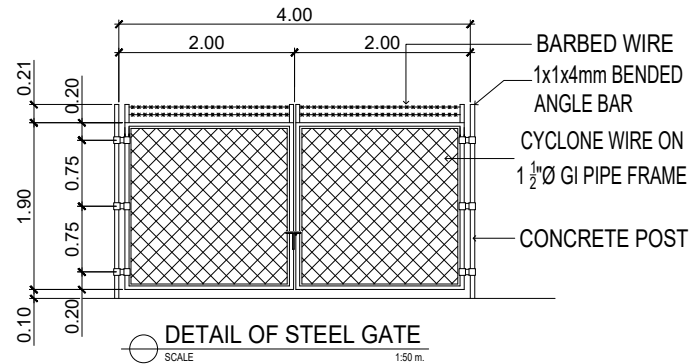
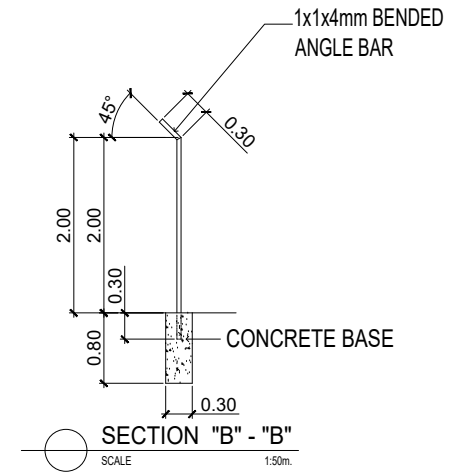
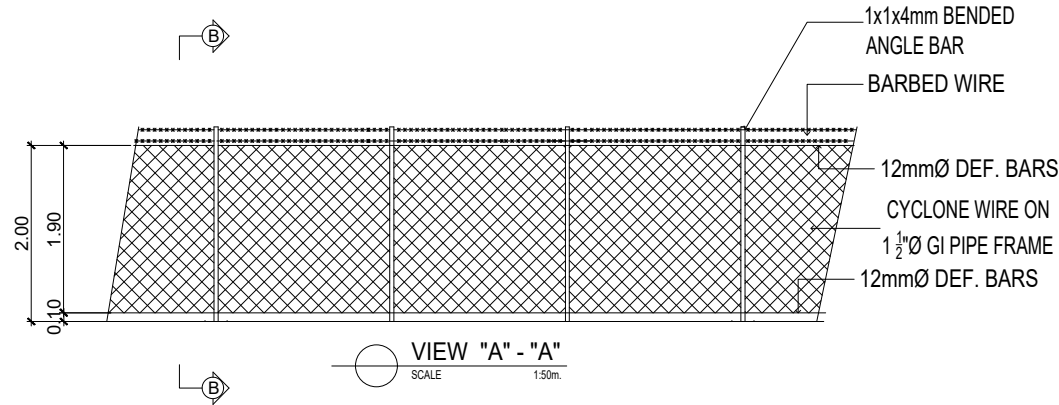
- NOTES:  
 1. ALL SIZES AND LOCATIONS ARE SUBJECT TO CHANGE TO SUIT FIELD CONDITIONS.  
 2. THE DESIGNER SHALL NOT BE LIABLE FOR ANY ALTERATION/ REVISION ON THE PLANS/ DRAWINGS AND SPECIFICATIONS IMPROVED BY THE AUTHORIZED SUPERVISING ENGINEER DONE WITHOUT THEIR KNOWLEDGE THAT MAY IMPAIR THE STRENGTH OF THE PROJECT.

**W CALAMBA WATER DISTRICT**  
 ENGINEERING DEPARTMENT  
 PLANNING AND DESIGN DIVISION  
 24/7 Public Service

PROJECT TITLE:	DRAWN BY: A. L. DEL PRADO	SHEET CONTENTS:	DATE: 03/30/2020
PROPOSED SCRAP AREA FENCE	DESIGNED BY: A. L. DEL PRADO	FOUNDATION PLAN	SHEET NO.
	RECOMMENDED BY: ENGR. J. GILLERA		S-1
LOCATION: Bucal Pumping Station Upper, Calamba City, Laguna	APPROVED BY: MR. E. A. AGUILAR JR.		

This design or drawing is the sole property of Calamba Water District. No part of this design or drawing may be reproduced or transmitted in any form or by any means without the written consent of its owner.

This design or drawing is the sole property of Calamba Water District. No part of this design or drawing may be reproduced or transmitted in any form or by any means without the written consent of its owner.



NOTES:  
 1. ALL SIZES AND LOCATIONS ARE SUBJECT TO CHANGE TO SUIT FIELD CONDITIONS.  
 2. THE DESIGNER SHALL NOT BE LIABLE FOR ANY ALTERATION/ REVISION ON THE PLANS/ DRAWINGS AND SPECIFICATIONS IMPROVED BY THE AUTHORIZED SUPERVISING ENGINEER DONE WITHOUT THEIR KNOWLEDGE THAT MAY IMPAIR THE STRENGTH OF THE PROJECT.

**W CALAMBA WATER DISTRICT**  
 ENGINEERING DEPARTMENT  
 PLANNING AND DESIGN DIVISION  
 24/7 Public Service

PROJECT TITLE:  
**PROPOSED SCRAP AREA FENCE**

DRAWN BY: A. L. DEL PRADO  
 DESIGNED BY: A. L. DEL PRADO  
 RECOMMENDED BY: ENGR. J. GILLERA  
 APPROVED BY: MR. E. A. AGUILAR JR.

SHEET CONTENTS:  
 DETAIL OF FOOTINGS

DATE: 03/30/2020  
 SHEET NO.  
**S-2**

LAKEVIEW SUBD., HALANG, CALAMBA CITY

LOCATION: Bucal Pumping Station Upper, Calamba City, Laguna